

# ASU 4000 Modular System

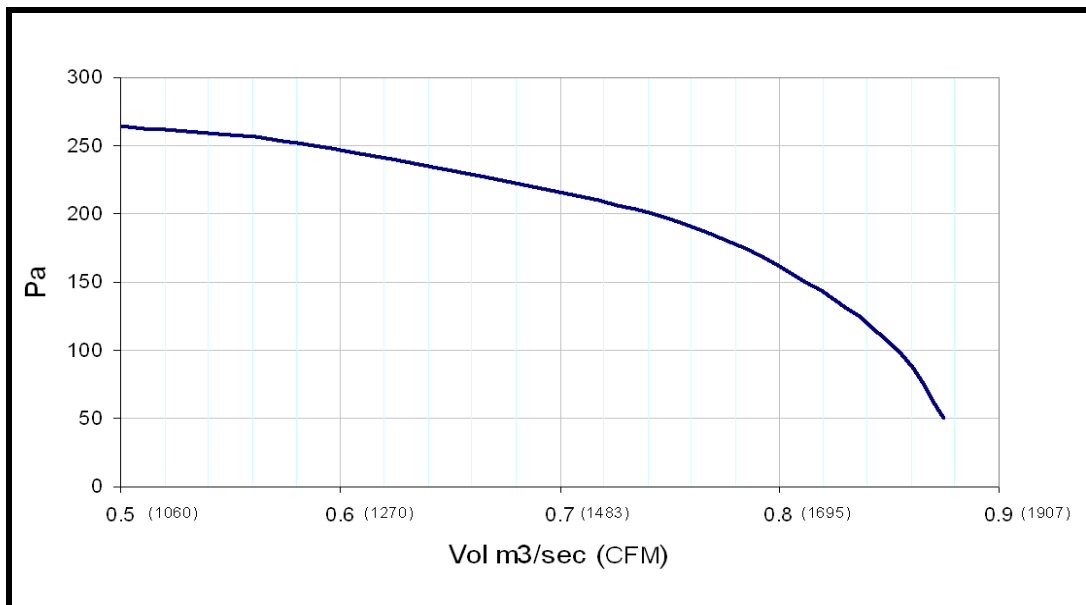
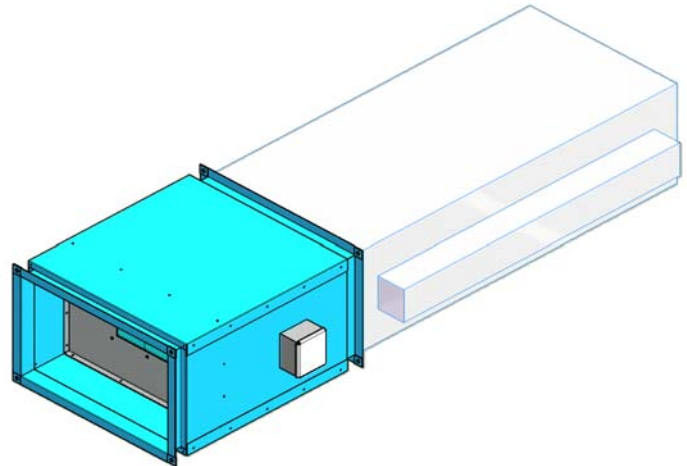
UVGI SYSTEMS LTD, 3000 AVIATOR WAY, MANCHESTER BUSINESS PARK,  
MANCHESTER. M22 5TG. UNITED KINGDOM  
T: +44 (0)161 266 1177 F: +44 (0)161 266 1001 W: UVGI.COM C: INFO@UVGI.COM

- The ASU 4000 components are designed to compliment the ASU 2000 and ASU 3000 sterilisation units.

- This modular system is suitable as an alternative to the installation of multi-ceiling jet units where larger remote rooms are situated but are not served by a central ductwork system.

- For larger air volumes of more than 0.8 m<sup>3</sup>/s refer to UVGI Technical Dept.

- Alternatively for larger air duties UV sterilisation can be incorporated as part of an air handling unit - Refer to UVGI Technical Dept. for details.



### Technical details

<b>Dimensions W x H x L (mm)</b>	550 x 350 x 700
<b>Fan Weight</b>	34 kg
<b>Power input</b>	850 watts
<b>Power supply</b> (Unit provided with 2.0m flying lead only.)	220 - 240 AC / 50 Hz / 1 phase
<b>Tube replacement</b>	13,000 hrs maximum
<b>Air Volume</b>	See chart
<b>Visual "Lamp fail" system</b>	Included
<b>Finishing (visible-surfaces only)</b>	Wedgewood Blue (BS 18C 37 Matt)
<b>MRSA / C. Diff</b>	99.99%

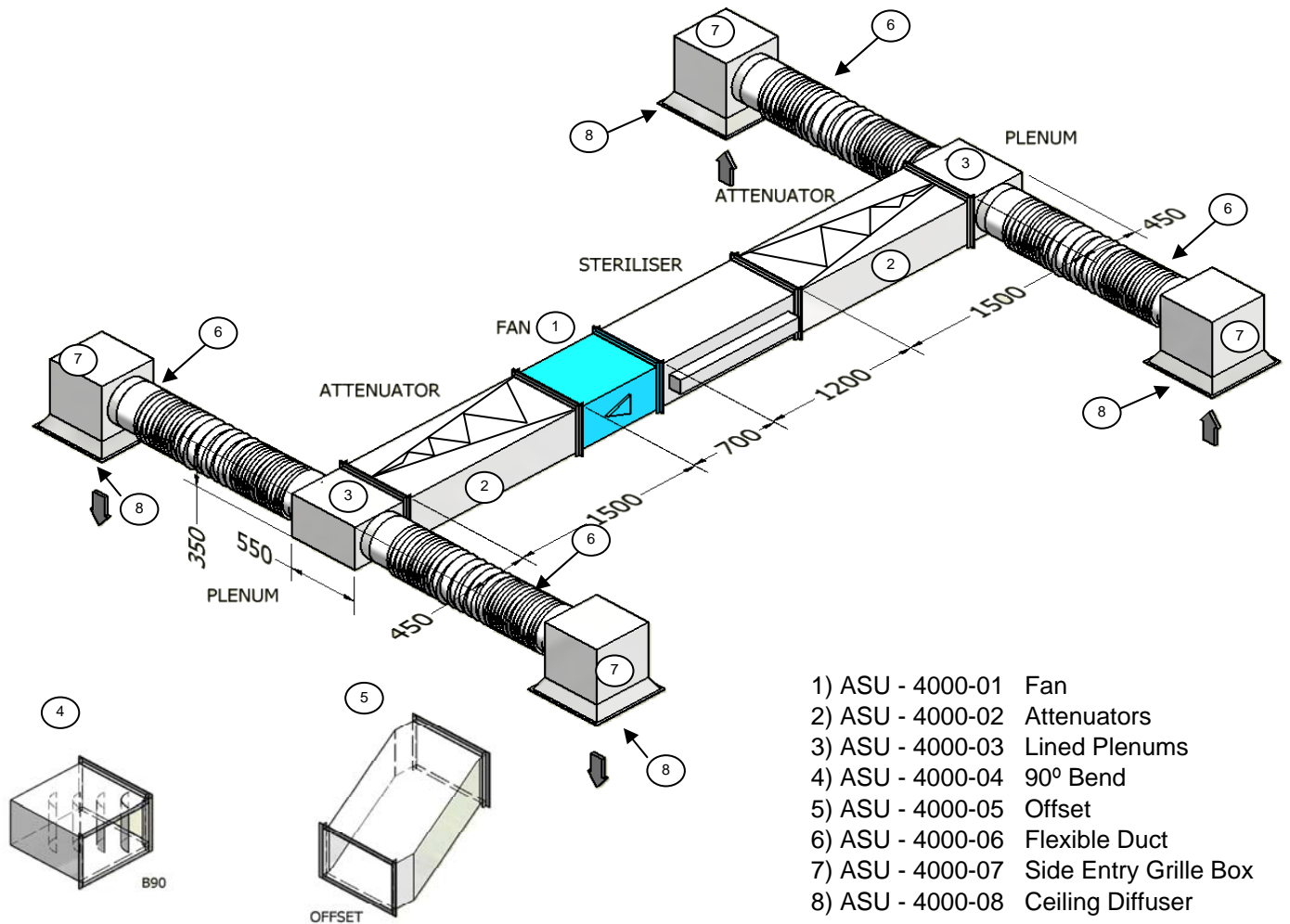
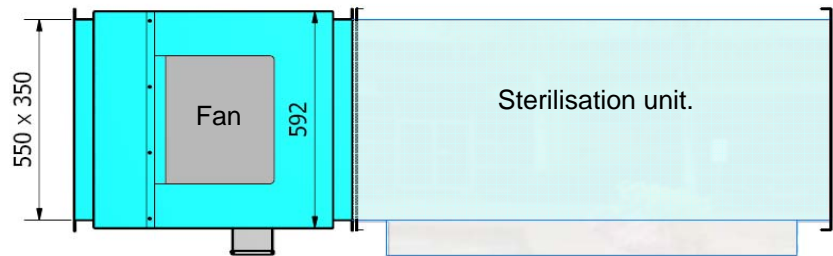
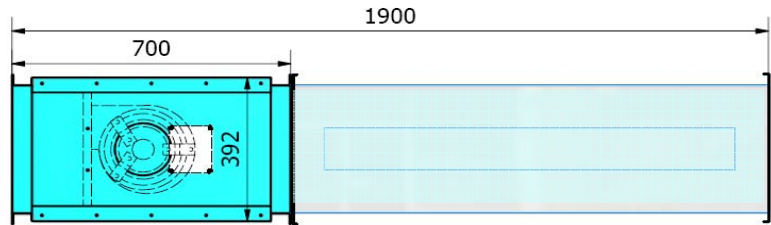
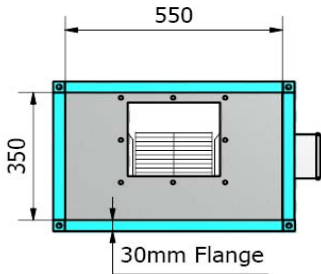
\*Important! The operation of this unit must be inter-locked with the airflow such that in the event of 'airflow failure' the unit will automatically switch off to protect the lamps.

Maximum air volume for guaranteed performance. For air volumes greater than 0.8 use multi-assembly paired units in 0.8 m<sup>3</sup>/s increments.

For bespoke applications refer to UVGI Technical Dept.

# ASU 4000 Modular System

UVGI SYSTEMS LTD, 3000 AVIATOR WAY, MANCHESTER BUSINESS PARK,  
MANCHESTER. M22 5TG. UNITED KINGDOM  
T: +44 (0)161 266 1177 F: +44 (0)161 266 1001 W: UVGI.COM C: INFO@UVGI.COM



- 1) ASU - 4000-01 Fan
- 2) ASU - 4000-02 Attenuators
- 3) ASU - 4000-03 Lined Plenums
- 4) ASU - 4000-04 90° Bend
- 5) ASU - 4000-05 Offset
- 6) ASU - 4000-06 Flexible Duct
- 7) ASU - 4000-07 Side Entry Grille Box
- 8) ASU - 4000-08 Ceiling Diffuser